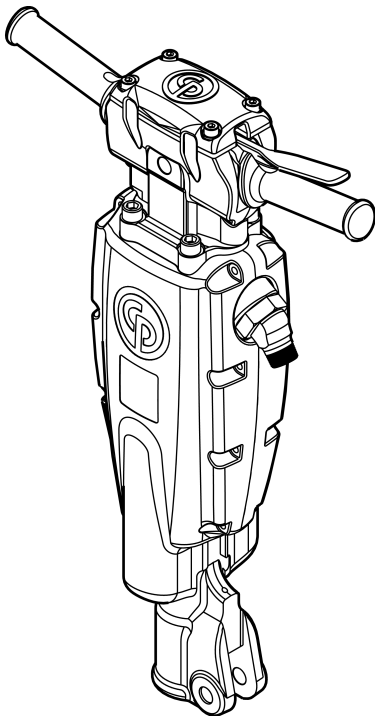




Spare Parts List

CP 1210 (1), (1E)
CP 1210 S (1), (1E)
CP 1210 SVR (1), (1E)

CP 1210 S (1.12), (1.25)
CP 1210 SVR (1.12), (1.25)





Call AAA Rent-All at 225-291-1356 for assistance ordering parts

2006-05
No 9800 0673 01
© Copyright
STOCKHOLM • SWEDEN

Contents

Introduction	4
Exploded view and tables of CP 1210 (1), (1E), CP 1210 S (1), (1E), CP 1210 SVR (1), (1E)	6
Exploded view and tables of CP 1210 S (1.12), (1.25) CP 1210 SVR (1.12), (1.25)	10

Introduction

Welcome! Protect your investment in the world's finest air tools. Use genuine CP replacement parts.

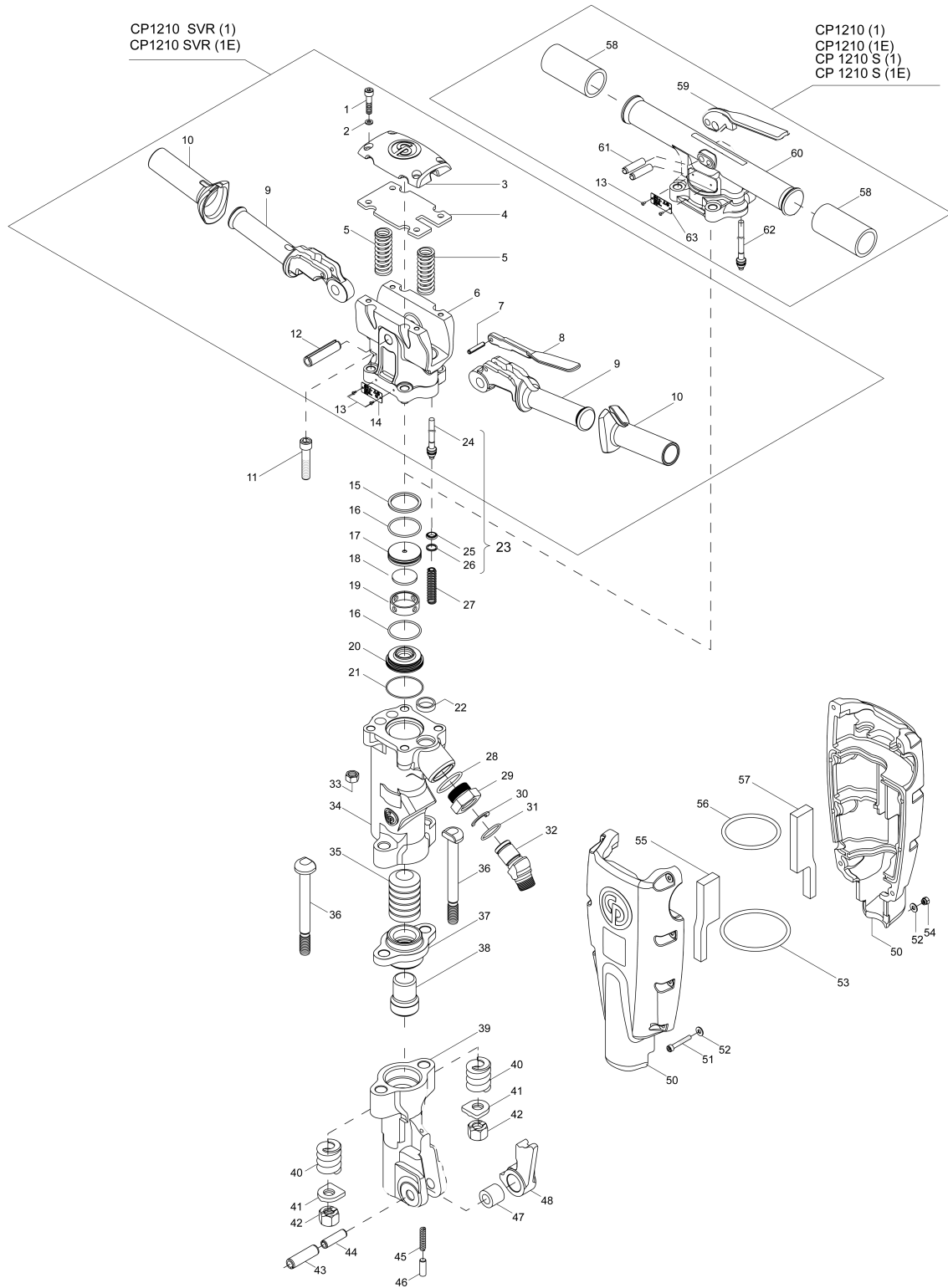
The purchase of replacement parts for your CP tools deserves the same good judgment that resulted in the purchase of the tools themselves. Each genuine CP part is made from carefully selected and inspected material, subjected to sophisticated machinery and finishing processes and heat-treated to produce just the right combination of hardness, ductility and impact resistance for its intended use. Each part is identical to, and made concurrently with, parts used in production tools. The use of parts other than genuine CP replacement parts can lead to substandard performance, early failure, possible damage of other parts and, in some instances, unsafe conditions.

To reduce the risk of injury, read and understand the Operating Instructions manual and the percussion tool safety instructions before operating the tool. Install the machine as per directions given in the Operating Instructions.

CP 1210 is a machine designed for demolition work in asphalt and concrete. The machine should be used vertically.

CP 1210 S/SVR

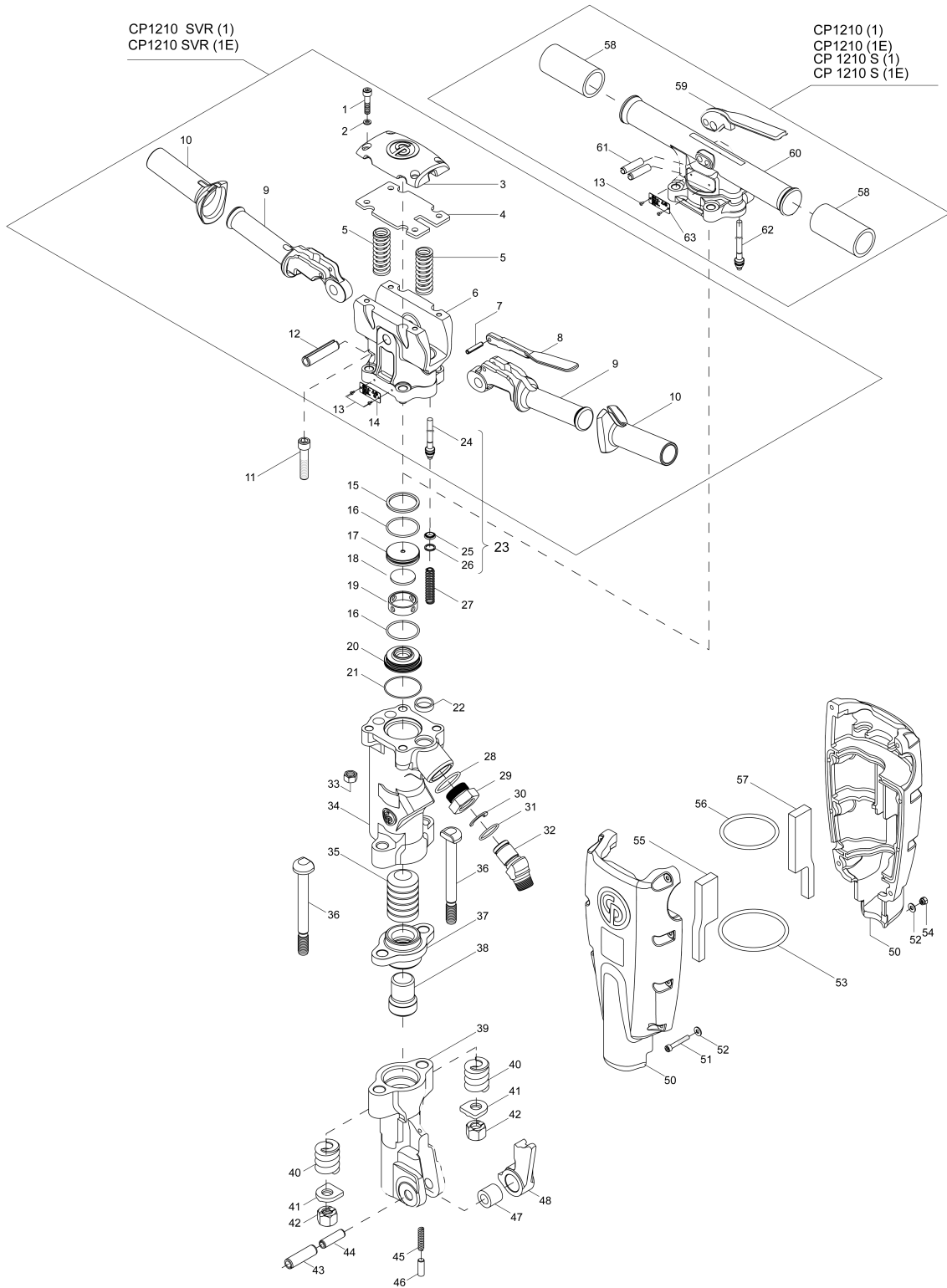
Exploded view and tables of CP 1210 (1), (1E), CP 1210 S (1), (1E), CP 1210 SVR (1), (1E)



CP 1210 S/SVR

Exploded view and tables

Ref.No.	Ordering No.	Qty.	Description
1	0211132700	4	Socket Head cap screw (M8)
2	0301233500	4	Washer - Top cover
3	3303005019	1	Top cover
4	3303005026	1	Buffer pad assembly
5	3303005025	2	Spring - Handle
6	3303005015	1	Backhead (V.R.)
7	R145866	1	Pin - Lever
8	3303005021	1	Lever - Throttle
9	3303005017	2	Handle
10	3303005022	2	Grip
11	0211140700	4	Socket Head cap screw (M12 x 1.75)
12	0108153500	1	Roll pin (16 DIA x 65 L)
13	P081333	2	Self tapping screw
14	3303005032	1	Data plate
15	3303005031	1	Gasket
16	C102642	2	O-ring
17	R138096	1	Upper valve lid
18	R138094	1	Valve
19	R138095	1	Valve case
20	3303005024	1	Lower valve case lid
21	H0310447	1	O-ring
22	R110215	1	Seal - Cylinder
23	3303005036		Throttle valve assembly. (Includes item no. 24–26)
24		1	Throttle valve
25	R098368	1	Seal - Throttle valve
26	R098369	1	Ring - Valve seal retaining
27	R005717	1	Spring - Throttle valve
28	R056605	1	O-ring
29	3303005013	1	Nut - Air inlet swivel
30	3310105900	1	Lock washer - Swivel
31	0663212600	1	O-ring - Swivel
32	3303005012	1	Swivel - Air inlet

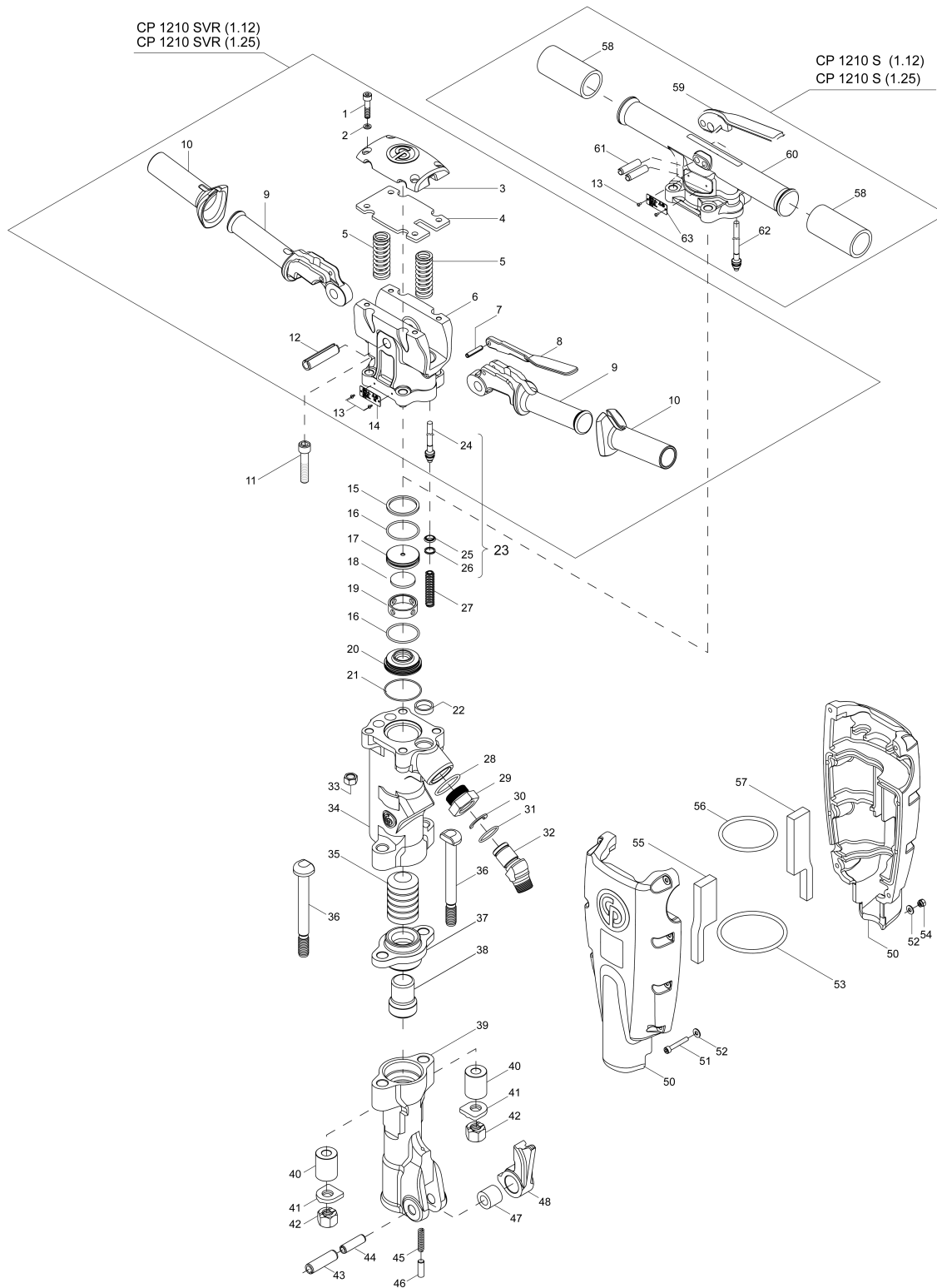


CP 1210 S/SVR

Exploded view and tables

Ref.No.	Ordering No.	Oty.	Description
33	3303005030	4	Nut (M12)
34	3303005029	1	Cylinder
35	R110212	1	Piston
36	R110217	2	Bolt - Fronthead
37	R110203	1	Bushing - Anvil block
38	R085427	1	Block - Anvil
39	F815478	1	Fronthead for CP 1210 (1), CP 1210 S (1), CP 1210 SVR (1)
39	F814719	1	Fronthead for CP 1210 (1E), CP 1210 S (1E), CP 1210 SVR (1E)
40	R093698	2	Spring
41	R041073	2	Lock - Fronthead nut
42	R110218	2	Nut - Fronthead bolt
43	0108110304	1	Roll pin (16 DIA x 55 L)
44	0108139500	1	Roll pin (10 DIA x 55 L)
45	R086982	1	Spring - Plunger
46	R092497	1	Plunger - Latch
47	R048540	1	Retainer latch bushing
48	R092493	1	Retainer - Latch
<i>Parts ref. no. 50 to 57 are for CP1210S (1, 1E) and CP1210 SVR (1,1E) models.</i>			
50	3303005007	1	Silencer
51	0211125300	8	Socket Head cap screw (M6 x 1 - 45L)
52	F826979	16	Washer
53	0663214600	1	O-ring - Silencer (Bottom)
54	0291112815	8	Nyloc nut (M6 x 1)
55	3303005010	1	Sealing pad - Silencer (Left)
56	0663214300	1	O-ring - Silencer (Top)
57	3303005011	1	Sealing pad - Silencer (Right)
58	F816345	2	Rubber grip
59	F814725	1	Lever
60	3303005000	1	Backhead
61	R133433	2	Roll pin
62	F882246	1	Throttle valve
63	3303005037	1	Data plate

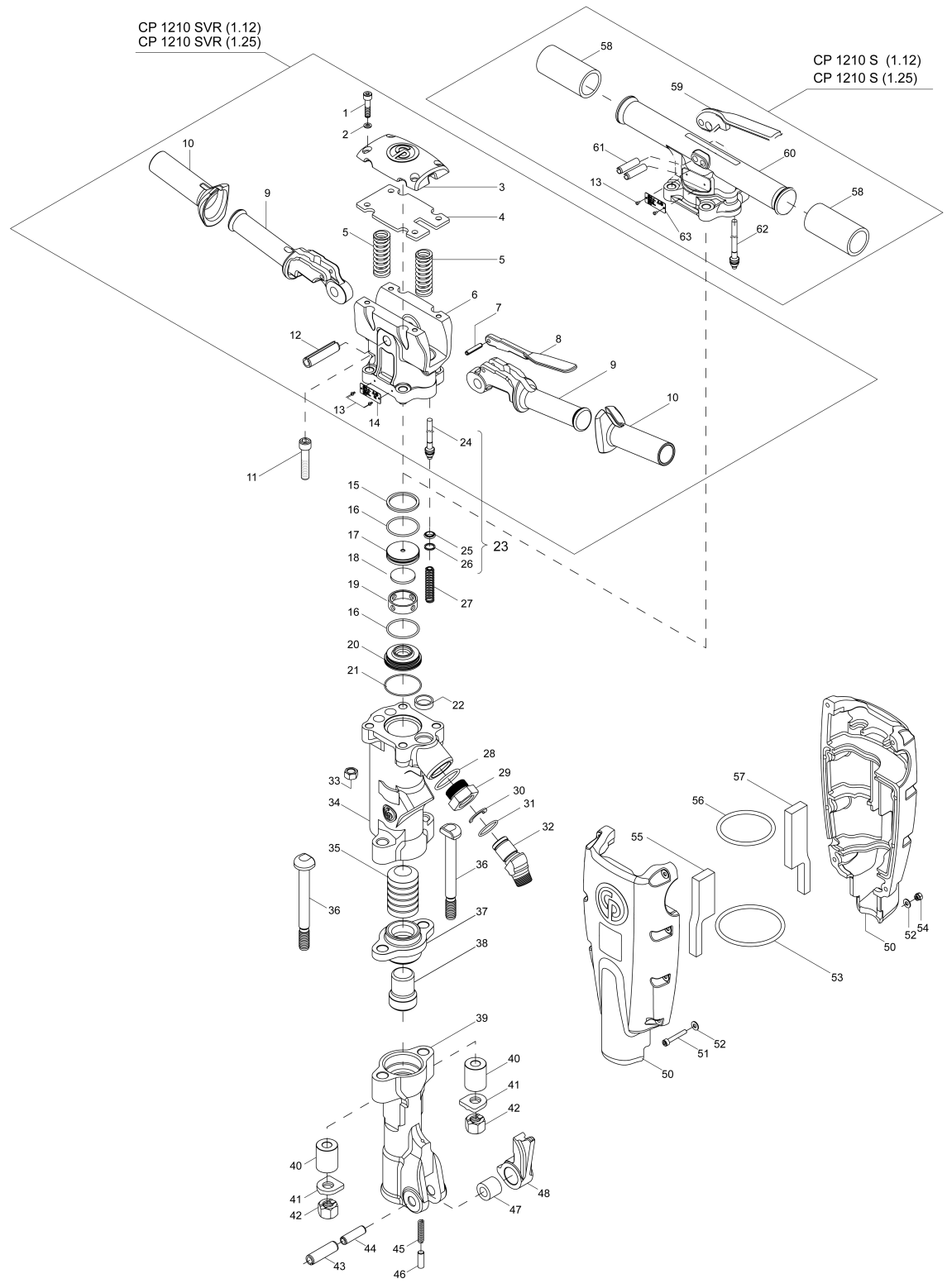
Exploded view and tables of CP 1210 S (1.12), (1.25) CP 1210 SVR (1.12), (1.25)



CP 1210 S/SVR

Exploded view and tables

Ref.No.	Ordering No.	Qty.	Description
1	0211132700	4	Socket Head cap screw (M8)
2	0301233500	4	Washer - Top cover
3	3303005019	1	Top cover
4	3303005026	1	Buffer pad assembly
5	3303005025	2	Spring - Handle
6	3303005015	1	Backhead (V.R.)
7	R145866	1	Pin - Lever
8	3303005021	1	Lever - Throttle
9	3303005017	2	Handle
10	3303005022	2	Grip
11	0211140700	4	Socket Head cap screw (M12 x 1.75)
12	0108153500	1	Roll pin (16 DIA x 65 L)
13	P081333	2	Self tapping screw
14	3303005032	1	Data plate
15	3303005031	1	Gasket
16	C102642	2	O-ring
17	R138096	1	Upper valve lid
18	R138094	1	Valve
19	R138095	1	Valve case
20	3303005024	1	Lower valve case lid
21	H0310447	1	O-ring
22	R110215	1	Seal - Cylinder
23	3303005036		Throttle valve assembly. (Includes item no. 24–26)
24		1	Throttle valve
25	R098368	1	Seal - Throttle valve
26	R098369	1	Ring - Valve seal retaining
27	R005717	1	Spring - Throttle valve
28	R056605	1	O-ring
29	3303005013	1	Nut - Air inlet swivel
30	3310105900	1	Lock washer - Swivel
31	0663212600	1	O-ring - Swivel
32	3303005012	1	Swivel - Air inlet



CP 1210 S/SVR

Exploded view and tables

Ref.No.	Ordering No.	Qty.	Description
33	3303005030	4	Nut (M12)
34	3303005029	1	Cylinder
35	R110212	1	Piston
36	R110217	2	Bolt - Fronthead
37	3303005005	1	Bushing - Anvil block
38	3303005006	1	Block - Anvil
39	3303005002	1	Fronthead for CP 1210S (1.25), CP 1210SVR (1.25)
39	3303005003	1	Fronthead for CP 1210S (1.12), CP 1210SVR (1.12)
40	3303005033	2	Spring - Polyurethane
41	R041073	2	Lock - Fronthead nut
42	R110218	2	Nut - Fronthead bolt
43	0108110304	1	Roll pin (16 DIA x 55 L)
44	0108139500	1	Roll pin (10 DIA x 55 L)
45	R086982	1	Spring - Plunger
46	R092497	1	Plunger - Latch
47	R048540	1	Retainer latch bushing
48	R092493	1	Retainer - Latch
50	3303005007	1	Silencer
51	0211125300	8	Socket Head cap screw (M6 x 1 - 45L)
52	F826979	16	Washer
53	0663214600	1	O-ring - Silencer (Bottom)
54	0291112815	8	Nyloc nut (M6 x 1)
55	3303005010	1	Sealing pad - Silencer (Left)
56	0663214300	1	O-ring - Silencer (Top)
57	3303005011	1	Sealing pad - Silencer (Right)
58	F816345	2	Rubber grip
59	F814725	1	Lever
60	3303005000	1	Backhead
61	R133433	2	Roll pin
62	F882246	1	Throttle valve
63	3303005037	1	Data plate



Call AAA Rent-All at 225-291-1356 for assistance ordering parts



Call AAA Rent-All at 225-291-1356 for assistance ordering parts



2006-05
No 9800 0673 01
© Copyright
STOCKHOLM • SWEDEN

